



nGauge



Instruction Manual

v1.13

Table of Contents

List of Revisions	3
Important Notes	4
Pre-Installation Notice	5
1 Installation.....	5
1.1 Cable Routing	5
1.2 Attaching Windshield Mount	5
1.3 SD Memory Card	5
2 Basic Operation	6
2.1 Menu Navigation	6
2.2 New Vehicle Setup/Find Signals.....	6
3 Gauge Setup & Navigation	7
3.1 Navigating Gauges.....	7
3.2 Assign a Signal to a Gauge.....	7
3.3 Change a Signal Display	7
3.4 Set Gauge Low Warning / High Warning-Optional	7
3.5 Set Minimum/Maximum/Scaling (Round Gauges Only)	8
3.6 Data Logger	9
3.7 Using Zeitronix Products	10
3.8 Data Logging in Gauges	11
4 Diagnostic Code Reader	12
5 Customizing Your nGauge	13
5.1 Installing Files From SD Card	13
5.2 Installing Files From PC or MAC	13

5.3 Adjusting Standard/Metric Units	14
5.4 Display Brightness	14
5.5 Default Power-up Screen	14
5.6 Sleep/Wake Settings	14
5.7 Reset Settings	15
6 nGauge Analog Inputs	16
6.1 Connections and Wiring	16
6.2 Analog Input Driver Setup	16
7 Updating nGauge	18
Appendices	19
Appendix A: Accessory Cable Pin Out	19
Limited Warranty	21

LIST OF REVISIONS

Revision	Date	Chapters	Comments
1.9	2016-03-03	All	Initial Indexed Release
1.10	2016-03-29	All	Initial Release for website
1.11	2016-04-14	All	Corrected company name
1.12	2016-05-12	5.4, 5.6, 5.7	Added Sleep/Wake, and Reset Settings sections
1.13	2016-07-28	5.4, 3.4, 3.5	Added Round Gauge specifics

IMPORTANT!

THIS IS A HIGH PERFORMANCE PRODUCT, USE AT YOUR OWN RISK

Do not use this product until you have carefully read the following terms and conditions for the use of this product. The installation of this product indicates the BUYER has read and understands this agreement and accepts its terms and conditions. This agreement takes precedence.

DISCLAIMER OF LIABILITY

E-Motion and its successors, distributors, jobbers, and dealers (hereafter SELLER) shall in no way be responsible for the product's proper use and serviceability.

THE BUYER HEREBY WAIVES ALL LIABILITY CLAIMS.

The BUYER acknowledges that he/she is not relying on the SELLER's skill or judgment to select or furnish goods suitable for any particular purpose and that there are no liabilities which extend beyond the description on the face hereof and the BUYER hereby waives all remedies or liabilities, expressed or implied, arising by law or otherwise, (including without any obligations of the SELLER with respect to fitness, merchantability, and consequential damages) or whether or not occasioned by the SELLER's negligence. The SELLER disclaims any warranty and expressly disclaims any liability for personal injury or damages. The BUYER acknowledges and agrees that the disclaimer of any liability for person injury is a material term for this agreement and the BUYER agrees to indemnify the SELLER and to hold the SELLER harmless from any claim related to the item of the equipment purchased. Under no circumstances will the SELLER be liable for damages or expenses by reason of use or sale of any such equipment. The SELLER assumes no liability regarding the improper installation or misapplication of its products. It is the installer's responsibility to check for proper installation and if in doubt, contact the manufacturer.

IN THE EVENT THAT THE BUYER DOES NOT AGREE WITH THIS AGREEMENT: THE BUYER MAY PROMPTLY RETURN THIS PRODUCT, IN A NEW AND UNUSED CONDITION, WITH A DATED PROOF OF PURCHASE, TO THE PLACE OF PURCHASE FOR A FULL REFUND. THE INSTALLATION OF THIS PRODUCT INDICATES THAT THE BUYER HAS READ AND UNDERSTANDS THIS AGREEMENT AND ACCEPTS ITS TERMS AND CONDITIONS.



Warning: Minnesota and California state laws restrict the method of attachment and placement of objects to the windshield and side windows of motor vehicles (See Minnesota Statutes 2005, Section 169.71 and California Vehicle Code Section 26708(a)). E-Motion does not take any responsibility for any fines, penalties, or damages that may be incurred as a result of disregarding the laws and statutes of the jurisdictions in which a nGauge is operated. Similar laws may apply within your province or state. Please verify your provincial or state laws prior to installation.



Warning: When mounting the nGauge to the windshield, place the device in a location where it does not obstruct the driver's view of the road and does not interfere with vehicle controls and safety devices or the safe operation of the vehicle.



Attention: Onstar subscribers may notice an interruption in Onstar diagnostic services while using OBD II scan tool devices, including nGauge. Normal operation will resume once the device has been removed from the OBD II port.

PRE-INSTALLATION NOTICE

When reflashing the engine controller, we strongly recommend using an external battery charger or booster. If the battery voltage gets too low during a reflash, your engine controller may be damaged, which can be time consuming and costly to repair.

1 INSTALLATION

1.1 CABLE ROUTING

The nGauge OBD II cable must be routed so that it does not interfere with safe operation of the vehicle.

Cable routing tips:

- Find the OBD II connector first and work the cable to where nGauge is to be mounted on the windshield.
- Route the nGauge OBD II cable between interior panel grooves to hold the cable as well as conceal it.
- Use wire or zip ties to bundle any excess cable.

Cable routing “Don’ts”

- Don’t let the cable dangle by your feet.
- Don’t let the cable hang free.
- Don’t allow the cable to be near the steering wheel and any steering column controls.
- Don’t mount the cable in a way that puts stress on the connector on the back of the nGauge. This includes routing the cable at angles other than directly out the back of the mount. That connector can be broken off when too much physical force is applied. Any damage caused by improper cable routing is **not** covered under the nGauge limited warranty.

1.2 ATTACHING WINDSHIELD MOUNT

Mount the nGauge on the windshield in a spot that does not obstruct the view of the road or in any way that interferes with the safe operation of the vehicle.

Mounting Suggestions:

- Mount the nGauge as low to the dashboard as possible.
- Mounting to the left or in the middle works well.
- It may be illegal to mount the nGauge on the windshield in some states.

1.3 SD MEMORY CARD

Always insert and remove the memory card with the nGauge powered off.

Insert the card with the gold contacts facing towards the chrome ring. Press the card into the nGauge until a click is heard. If the card sticks out at all, it has not been pushed in all the way. Using the black plastic spudger eases installation and removal of the card.

To remove, press the card in until a click is heard. Release and the card will eject enough to grab it.

2 BASIC OPERATION

2.1 MENU NAVIGATION

When nGauge first starts up, a splash screen will appear. It will take a few seconds to start up.

The [v] button advances the screen to the next menu.

The [x] button returns the screen to the previous or main menu.

The home screen contains Gauges, Tuning and Diagnostics tabs.

2.2 NEW VEHICLE SETUP/FIND SIGNALS

The nGauge has been designed to be used on most 1996 and newer OBD II vehicles. Vehicles to which the nGauge is connected, will typically offer a different set of parameters or signals available.

The New Vehicle setup:

1. Plug nGauge into the vehicle.
2. Turn the vehicle's key to the on position. The engine does not need to be started.
3. From the nGauge main menu, Tap [Gauges], tap [connect].
4. Tap [Select the correct make and model for your vehicle].
5. Follow the on-screen instructions. When nGauge lists how many signals were found, nGauge has finished.
6. Tap the [v] button to confirm the selection once scanning has completed.
7. Repeat steps 1-6 every time nGauge is connected to a new vehicle.

3 GAUGE SETUP & NAVIGATION

The nGauge offers the ability to monitor vehicle sensors for real time display and data logging. Data sample rates will vary by vehicle. This rate is a fixed amount and the total of active signals being monitored and logged will share this sample rate.

3.1 NAVIGATING GAUGES

From the Main Menu tap [Gauges].

Tap on the [<] and [>] buttons to view other gauge display layouts.

3.2 ASSIGN A SIGNAL TO A GAUGE

Be sure the New Vehicle Setup (see section: 2.2 New Vehicle Setup/Find Signals) has been completed before assigning signals to a gauge.

Ensure gauge is connected to vehicle through Gauges, Connect and Key is ON

1. Tap on the gauge region where the signal will be displayed.
2. Use the [<] or [>] to locate and select the signal you wish to monitor.
3. Tap [v] to save signal to nGauge.

3.3 CHANGE A SIGNAL DISPLAY

Ensure gauge is connected to vehicle through Gauges, Connect and Key is ON

1. Tap on the display tab
2. Use the [up] or [down] arrows to locate and select the attribute you wish to change.
3. Change the name, unit, color or high/low value range
4. Tap [v] to save signal to nGauge.

3.4 SET GAUGE LOW WARNING / HIGH WARNING-OPTIONAL

For the round gauges, the low and high warnings appear with fixed colors similar to a “redline” implementation. For the other gauges, the value displayed by the gauge will change color when it reaches the warning thresholds. The color in the non-round gauges is customizable via the Low/Normal/High Color selections in the Display menu.

To set a High/Low Warning:

1. Tap on the gauge where a High/Low Warning is to be set.
2. Tap [Display].
3. Tap on [High Warning] or [Low Warning].
4. Type in the desired upper or lower warning level number. Tap [+/-] to make the value negative.
5. Tap [v].
6. Tap [Return] to go back to the gauges.

3.5 SET MINIMUM/MAXIMUM/SCALING (ROUND GAUGES ONLY)

Both the small and big round gauges have customizable Minimum/Maximum and Scaling to accommodate PIDs of varying ranges. The Minimum refers to the preferred low end value of the gauge, and the Maximum refers to the preferred high end value of the gauge. The algorithm in the nGauge rounds user-entered values if necessary. The figure in this section shows the Round Gauge display and how the Min/Max, Scaling, and Low/High Warnings are implemented.

The labels on the round gauges can be scaled, e.g. RPM x1000. The available scales are:

x1
x10
x100
x1000

When entering a Minimum/Maximum, the value entered must take account for the scaling set for that signal. For example, if desired Maximum RPM is 8000, and the scale is x1000, the value entered would be "8". There is a display box which includes the scale when entering the value for Min/Max to prevent confusion. Note: Low and High Warnings are not affected by scaling and should be entered as absolute numbers regardless of scale. Warnings are also unaffected by Min/Max changes.

To set a Minimum/Maximum:

1. Tap on the round gauge where a Min/Max is to be set.
2. Tap [Display].
3. Tap on [Minimum] or [Maximum].
4. Type in the desired upper or lower warning level number. The "true" value will be the number entry times the scaling which appears to the right of the number entry.
5. Tap [✓].
6. Tap [Return] to go back to the gauges.

To set the Scaling:

1. Tap on the round gauge where a Scale is to be set.
2. Tap [Display].
3. Tap on [Scaling].
4. Choose the desired scaling option from the list.
5. Once the desired Scale is tapped, the nGauge returns to the gauges with the new scale loaded



Figure 1: Round Gauge Display

3.6 DATA LOGGER

The nGauge will monitor and log all signals shown on the active gauge screen. It is also possible to monitor signals not shown on the active gauge screen. This allows the user to view only the most valuable data, while still being able to review all the vehicle data in the log file. The Global Data Logger can silently monitor up to 16 signals and will be logged with the active gauge screen data.

Using a tuner supplied config (.dle) file

1. Tap on [Diagnostics] from the Main Menu.
2. Tap on [Datalogging].
3. Use [<] or [>] to select proper datalog config file downloaded to SD card from your tuner
4. Tap on [v] to accept
5. nGauge will connect
6. Tap on either box on the left side of the display to start logging. Logging is indicated by LED activity in the light centered directly above the screen.
7. To stop datalogging, either exit out of the datalogger using the [x] button, or tap again on either box on the left side of the display. The LED activity should cease

File will be stored on the SD card.

Creating your own datalogged pids to record to SD card.

1. Tap on [Gauges] from the Main Menu.
2. Tap on [Connect]
3. Tap screen and a selection menu will appear
4. Select desired signal
5. Use [<] or [>] to select the desired signals

Tap the star in the left corner to datalog that signal.

3.7 USING ZEITRONIX PRODUCTS

If you are going to use a Zeitronix wideband, the nGauge comes with a Zeitronix driver that uses the serial port to connect digitally to the Zt-2 controller. This is the preferred way to connect the Zt-2 wideband as compared to connecting the wideband voltage to the nGauge Analog Input. This allows the nGauge to display all of the Zt-2 signals, including the wideband O2 reading.

- Connect the four wire RJ-12 cable to the Zeitronix port on the back of the nGauge (see Appendix A).
- **IMPORTANT:** The Zt-2's USER2 channel may be configured by using the Zeitronix ZDL software on a PC, while the Zt-2 is connected to the PC through a serial port. When a temperature sensor is assigned to the Zt-2 USER2 input though ZDL software, an internal pull-up resistor is automatically enabled. No external resistors are required on the Zt-2 USER2 input.
- If any Zeitronix temperature sensors are connected to the Zt-2 USER1 input, or the nGauge Analog-1 or Analog-2 ports, those inputs require an external 1 K ohm pull up resistor to +5V (see Figure 1). Please see the Zeitronix web page for further details.

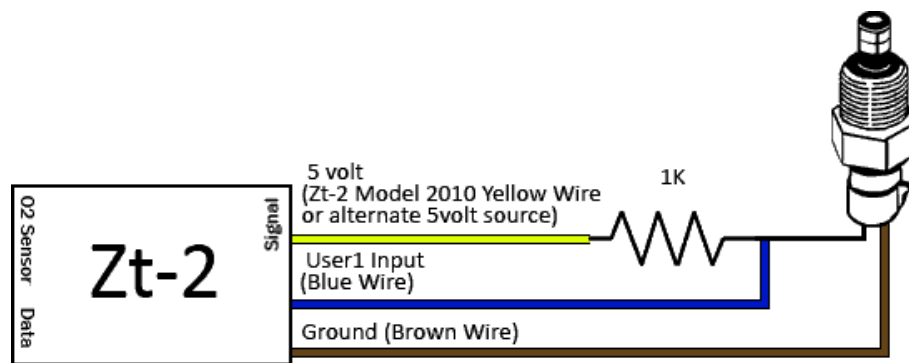


Figure 2: 1kOhm Pull-Up Wiring for Zeitronix Temp Sensors to Zt-2 USER1 Input or nGauge Analog-1 or Analog-2 Ports

- Most Zt-2 signals are mapped to existing signals in the nGauge Analog Driver (for Zeitronix sensors connected to the Analog-1 and Analog-2 inputs), or in the Zeitronix Driver (for sensors connected to the Zt-2). Signal calculators will be needed for any unsupported sensors.

3.8 DATA LOGGING IN GAUGES

The nGauge can log and save all information represented on the gauges from the active screen. The information can be saved as a Microsoft Excel *.csv directly to the inserted SD memory card.

To begin data logging:

1. Assign signals to the gauges to data log (see Chapter 3.5, “Creating your own datalogged pids to record to SD card”).
2. Tap on [Start Log]. The signals will be saved to the SD card with a timestamp. The signals will continue to be displayed on the screen even as they are being saved to the card. Once a log has begun the gauge screen cannot be changed.
3. To log signals you don't wish to put into a gauge, select the favorites star in the signal list.
4. Tap [End Log] when finished logging session. The data is now saved to the memory card.

Each time a data logging session is started and ended, nGauge saves one file to the SD memory card in a directory called “logs.” Each saved file has a log prefix. The default prefix is “log”, and will be changed by a value of +1 as new logs are added. (ex log_001.csv)

To start the log x:

1. From the Main Menu, tap on [Gauges].
2. Tap on [Connect]
3. Tap on a signal
4. Tap [Start Log]
5. File will save to SD card in numerical order with a time stamp
6. A red record button will be shown on the center of the screen confirming the nGauge is logging, and the LED in the center directly above the screen will also show confirmation of logging.

To view log files:

1. Remove the SD memory card from the nGauge.
2. Place the memory card into a SD card reader and attach to your PC.
3. Open the contents of the card. Log files are saved in the “logs” directory on the card. Log files may be opened in Microsoft Excel or any other spreadsheet program that accepts *.csv files.

Note: Auto brightness will not adjust while datalogging. Instead, whatever brightness was being used at the beginning of datalogging will persist until datalogging is done, at which point the auto brightness resumes its normal activity without the need for further user input.

4 DIAGNOSTIC CODE READER

To view and clear diagnostic trouble codes:

From the Main Menu tap on [Diagnostics]. This screen will appear:

Turn the vehicle's key to the on position. The vehicle does not need to be running.

Tap diagnostics

Tap the down arrow to reach [Read Codes]. If the vehicle's check engine light is on, diagnostic trouble code(s) (DTCs) will be displayed along with a short description of each code.

Fix the diagnosed problem, or make note of it.

To clear the diagnostic trouble codes, tap [Clear Codes]. You will be asked to confirm that you want to clear the codes.

Note: Clearing codes does not solve any underlying vehicle issues.

Tap [Yes] to clear the code(s) and turn the check engine light off.

Tap [No] to leave the code(s) set and leave the check engine light on.

5 CUSTOMIZING YOUR NGAUGE

Custom background images are not customizable for the end user. This feature may be added in the future.

5.1 INSTALLING FILES FROM SD CARD

Drag and drop the newest firmware .ng file from your pc to the SD card

Insert the SD into the nGauge as directed

From the Main Menu tap on [Diagnostics].

Select [Settings.]

Scroll down using the down arrow on the left to update from SD

Tap screen for [Update from SD]

nGauge will search SD card for newest firmware

Follow on screen prompts to update new firmware.

**** Do not turn off key or unplug device during a firmware update***

Important note: The firmware update file must be named FIRMWARE-XXX.ng where XXX is the version number.

Do not delete your previous firmware's files from the SD card until AFTER you update to the new firmware – they are still needed until the new firmware is installed.

5.2 INSTALLING FILES FROM PC OR MAC

Connect PC to nGauge via mini USB cable

Select Diagnostics.

Scroll down and TAP [USB SD]

PC will “ding” once PC recognizes device

Open window with computer drives i.e. C:, D:, etc.

Identify the letter for nGauge.

Drag and drop the file onto the correct drive associated with the nGauge

Copy and Paste can also be used

Allow the file to transfer

After the file has transferred, use the PC's function to “Safe Eject” the drive to make sure that all transfers have completed. Usually, you can right-click on the nGauge's drive icon and select “Safe Eject”.

Select settings within diagnostics

Press Update from SD

nGauge will search SD card for newest firmware

Follow on screen prompts to update new firmware.

**** Do not turn off key or unplug device during a firmware update***

Important note: The firmware update file must be named FIRMWARE-XXX.ng where XXX is the version number.

Do not delete your previous firmware's files from the SD card until AFTER you update to the new firmware – they are still needed until the new firmware is installed.

5.3 ADJUSTING STANDARD/METRIC UNITS

nGauge offers the ability to automatically adjust a signal to the English standard or metric units.

To Change Units:

1. From the Main Menu tap [Setup], [Display], [Units].
2. Select the Units you wish to use and select [Ok].
3. All signals will be adjusted to the selected unit of measure.

5.4 DISPLAY BRIGHTNESS

1. Tap on [Diagnostics] menu
2. Tap on [Settings]
3. Tap on [Brightness]
4. Select the desired brightness level.

5.5 DEFAULT POWER-UP SCREEN

nGauge allows you to easily change which screen appears on initial power-up of the nGauge. This can help make it faster and easier to navigate through the nGauge to find the functions you use most.

1. From the Main Menu, tap [Diagnostics]
2. Tap on [Settings]
3. Tap on [Startup Mode]
4. Select the item you'd like to be present on power-up. The current choices are "Main Menu" and "Gauges".

The change will be seen the next time the nGauge is powered back on.

5.6 SLEEP/WAKE SETTINGS

The user can set the events desired to trigger sleep and wake of the nGauge.

1. From the Main Menu, tap [Diagnostics]
2. Tap on [Settings]
3. Tap on [Sleep/Wake]
4. Choose sleep mode (Never, Alternator On, Engine Running, Vehicle Data, Touch)
5. Wake Mode (Touch, Alternator On, Alternator Noise, or Engine Running)
6. Also adjustable are the following:
 - Idle Time: 5 to 300 seconds
 - On/Off Volts
 - Voltage Threshold

The change will be seen the next time the nGauge is powered back on.

5.7 RESET SETTINGS

nGauge settings can be restored to default using the Reset Settings function.

1. From the Main Menu, tap [Diagnostics]
2. Tap on [Settings]
3. Tap on [Reset Settings]
4. If you wish to reset the settings to factory default, tap on [v]
5. The nGauge will restart with default factory settings

6 NGAUGE ANALOG INPUTS

nGauge has two analog inputs available on the accessory connector. They accept a 0-5v DC signal and are compatible with most automotive sensors. These signals can be displayed on the gauge screens along with any other input. They can be rescaled from the 0-5v scale into Fahrenheit, PSI, Air-Fuel ratios, or whatever the voltage represents. The analog inputs on nGauge have a 24.7 kilo ohm input impedance and may not be accurate when connected to a device with a high output impedance. For example, a narrowband O2 sensor output cannot be connected directly to an nGauge because the output impedance of the sensor is in the mega ohm range.

To use the two analog signals, settings are located under Diagnostics/Settings/Other Inputs.

A linear conversion is for measuring signals that have a constant input voltage change for a given change in what's being measured. An example is a sensor that has a 0.1V output change for every temperature degree it's measuring. 3 terminal sensors that have a voltage input, a voltage output, and ground are often linear sensors.

A non-linear conversion is for measuring signals that do not have a constant input change for a given change in what's being measured. An example is a NTC (negative temperature coefficient) type resistive temperature sensor, which is very common in vehicles. The NTC temperature sensor will change resistance by a few ohms per degree at high temperatures and many thousands of ohms per degree at cold temperatures. 2 terminal resistive temperature sensors are usually non-linear.

6.1 CONNECTIONS AND WIRING

Connect the analog input signal you wish to measure to either Analog In 1 or Analog In 2 on the nGauge. See Appendix A: Accessory Cable Pin Out for the I/O cable wiring table.

6.2 ANALOG INPUT DRIVER SETUP

6.2.1 LINEAR ANALOG DRIVER CORRECTION FACTOR AND CORRECTION OFFSET

For this example, we will assume we have a Zeitronix Zt-2 wideband AFR sensor connected to the Analog #1 input. (Tip: For Zeitronix products that support it, the Zeitronix digital serial output should be used with the nGauge Zeitronix driver instead [see Chapter 3.6], because it is more accurate and easier to configure than using the analog input. This is just an example).

The documentation for the Zt-2 (2006+) describes its analog output as shown in Figure 2.

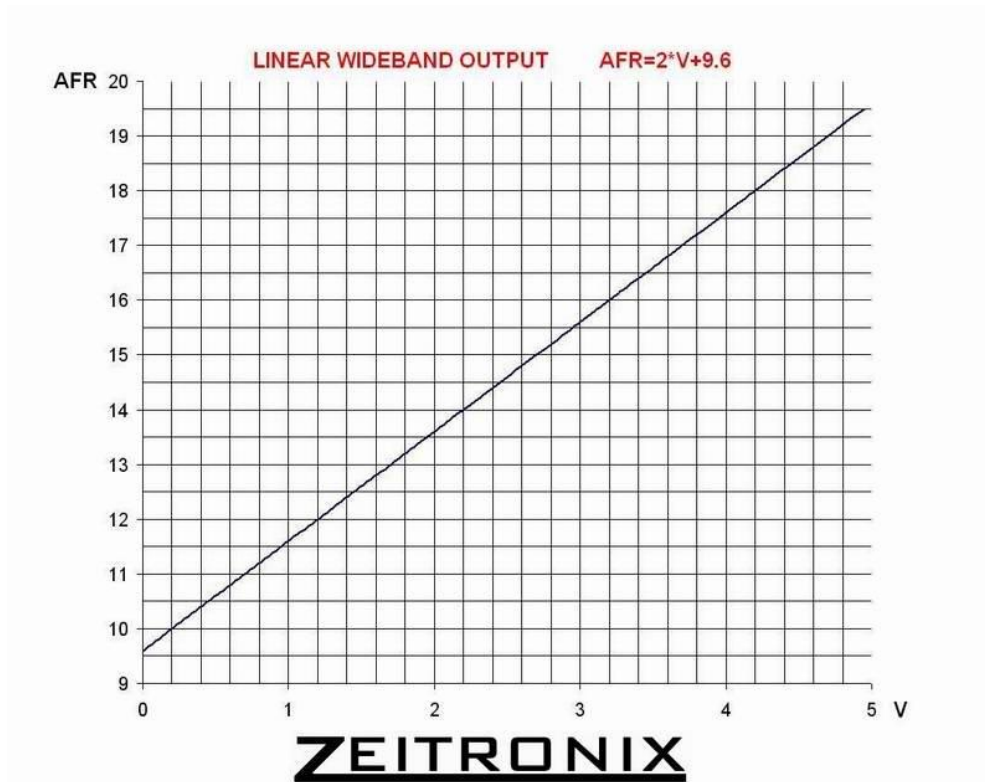


Figure 3: Linear Wideband Output Graph

We see the formula desired is $2 \cdot V + 9.6$. The factor of 2 is called the "Correction Factor" and the 9.6 is called the "Correction Offset". Refer to the actual sensors user manual for Correction factor and offset values. This is a simple linear formula.

6.2.2 CONVERTING AN ANALOG VOLTAGE INTO PHYSICAL UNITS

Navigate to Diagnostics/Settings/Other Inputs. You can then select Analog channel 1 or 2. After selecting the channel, it will display a screen where you can select from predefined conversions or "user" settings where you can specify the units, scale, offset, and number of decimal places.

These Scaling Parameters are used when converting an analog signal into physical units:

- **User Scale:** How to scale the signal, see the "Correction Factor" in the previous section .
- **User Offset:** The offset for the signal, see the "Correction Offset" in the previous section.
- **User Units:** Physical units for the calculation. Any automatic Imperial/Metric occurs afterward. For example, if a calculation results in °C the number could be automatically converted to °F before display. Use DegC for °C and DegF for °F.
- **User Decimals:** How many decimals to display. Leaving this blank or entering 0 will display 1.256 as 1. Entering 1 will display 1.256 as 1.3. Entering 2 will display 1.256 at 1.26.

7 UPDATING NGAUGE

Your nGauge's software is field updateable. It can be downloaded from <http://www.e-motionproducts.com> in the "Support" area.

To update nGauge:

If your installed nGauge FW is v120 or later:

1. Be sure you have the **correct** version of firmware to install on the nGauge:
 - a. LUND customers: download the firmware from the LUND link on the [support page](#).
 - b. All others: download from the "non-LUND" link on the [support page](#).
2. Place firmware file onto your SD card, one of two ways:
 - a. Via USB to nGauge connection:
 - i. Connect nGauge to PC via USB cable.
 - ii. Go to "Settings > USB SD" in your nGauge menus. nGauge should then be recognized as a drive by your PC.
 - iii. Place the downloaded firmware file on the root of your SD Card. Do not rename the file. Older firmware files can stay.
 - iv. Go to Step 3.
 - b. Via SD Card inserted into PC (if you have a microSD adapter):
 - i. Remove SD Card from nGauge and insert into appropriate adapter to connect to PC.
 - ii. Place the downloaded firmware file on the root of your SD Card. Do not rename the file. Older firmware files can stay.
 - iii. Remove the SD Card from your computer and insert it into your powered-down nGauge.
 - iv. Apply power to the nGauge.
 - v. Go to Step 3.
3. Update the firmware via "Diagnostics > Settings > Update from SD". Wait for process to complete.
4. New FW version should be displayed in "Diagnostics > Settings > Device Info".
 - a. If the update is unsuccessful or not found, repeat the procedure.
 - b. If the repeat fails, contact support@e-motionproducts.com.

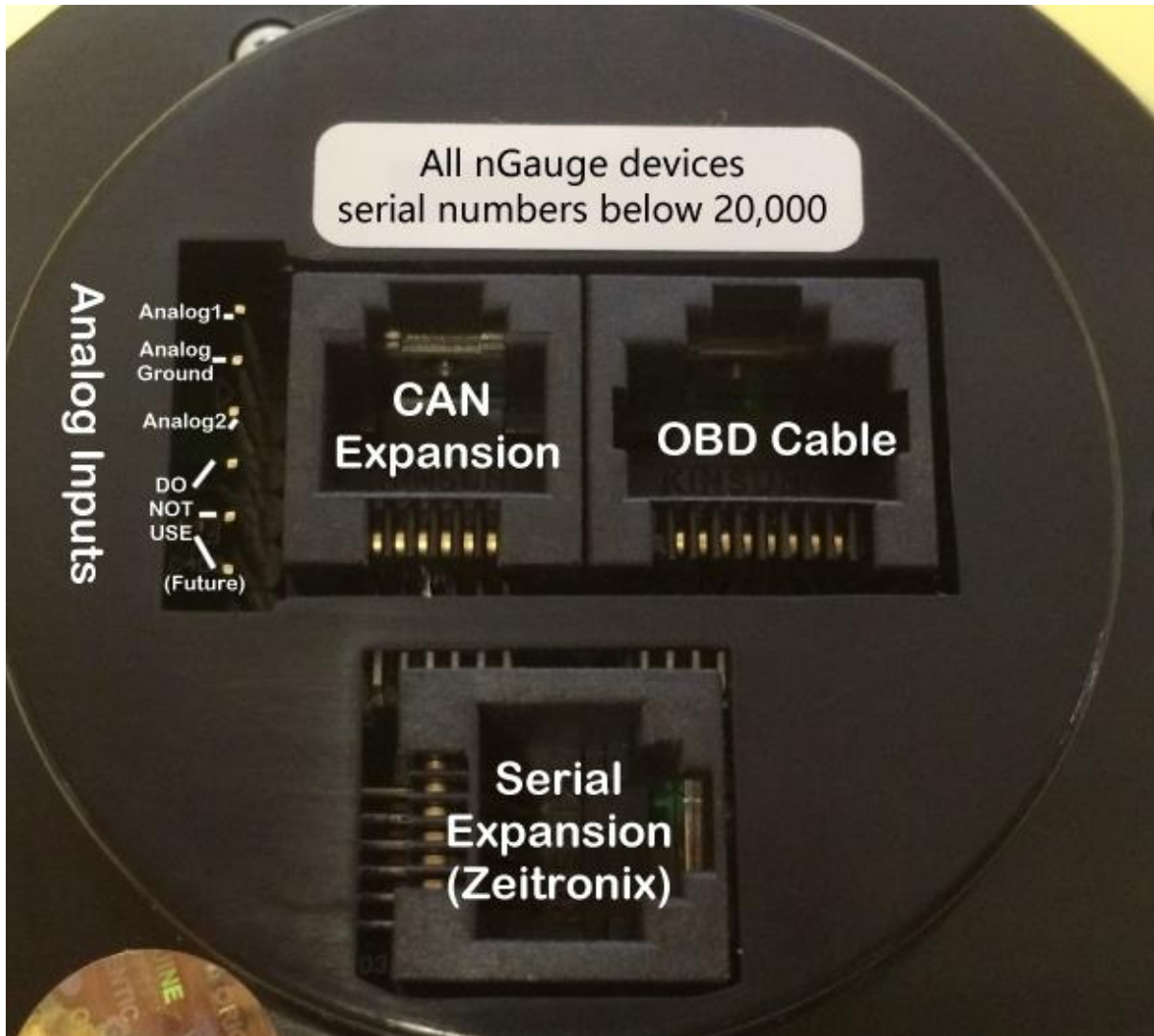
If your installed nGauge FW is v119 or earlier:

1. Be sure you have the correct version of firmware to install on the nGauge:
2. Install two copies of the latest firmware on your SD card and leave all existing files
3. Name one FIRMWARE.ng and one Firmware-xxx.ng (Latest firmware #) and follow the v120 or later instructions.

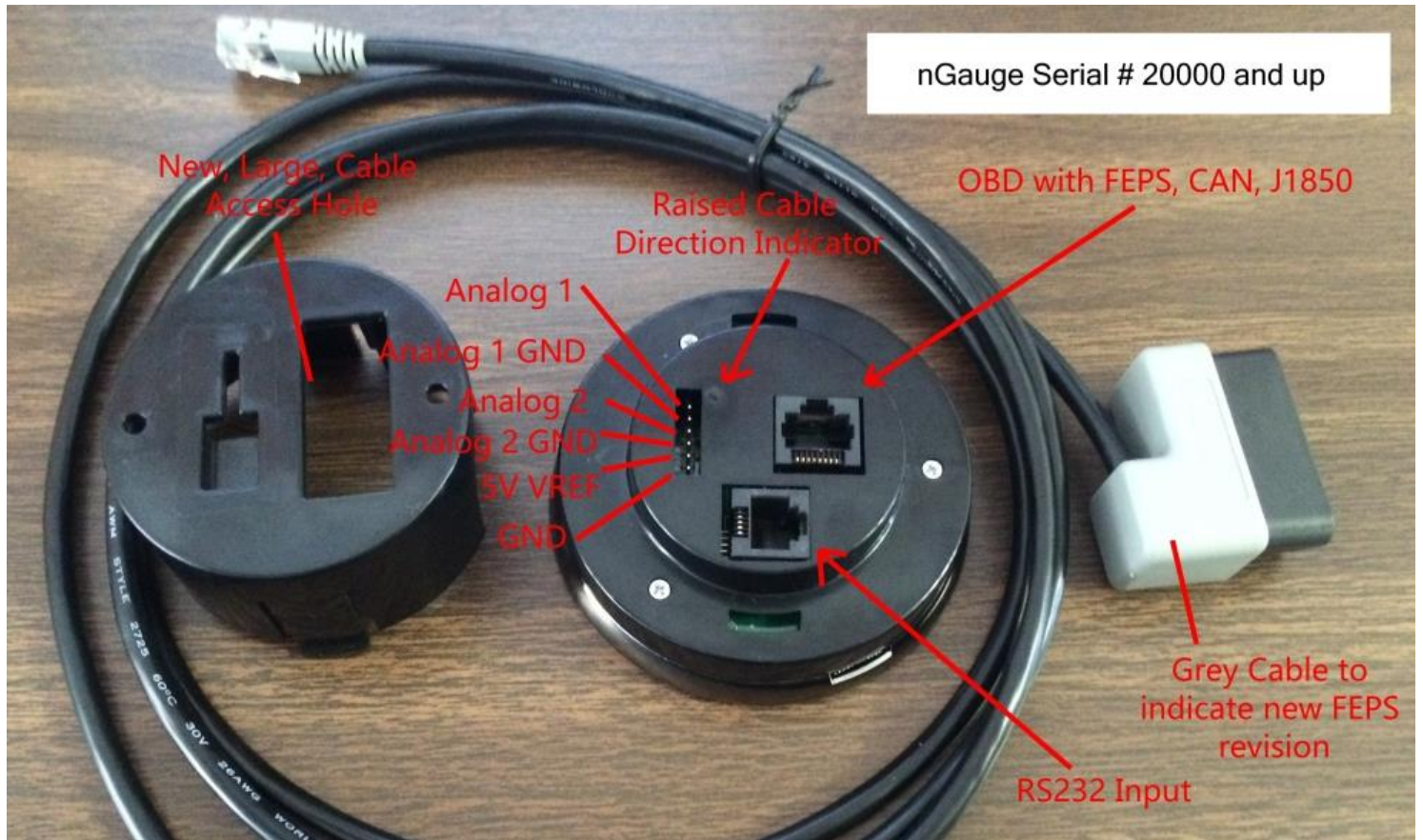
APPENDICES

APPENDIX A: ACCESSORY CABLE PIN OUT

For nGauge serial numbers below 20,000:



For nGauge serial number 20,000 and up:



LIMITED WARRANTY

E-Motion LLC guarantees that every nGauge is free from physical defects in material and workmanship under normal use for one year from the date of purchase. If the product proves defective during this warranty period, contact your nGauge distributor in order to obtain a Return Authorization number and form. When returning a product, mark the Return Authorization number clearly on the outside of the package and include a copy of your original proof of purchase and the form.

IN NO EVENT SHALL E-MOTION LLC LIABILITY EXCEED THE PRICE PAID FOR THE PRODUCT FROM DIRECT, INDIRECT, SPECIAL, INCIDENTAL, OR CONSEQUENTIAL DAMAGES RESULTING FROM THE USE OF THE PRODUCT, ITS ACCOMPANYING SOFTWARE, OR ITS DOCUMENTATION.

E-Motion LLC makes no warranty or representation, expressed, implied, or statutory, with respect to its products or the contents or use of this documentation and all accompanying software, and specifically disclaims its quality, performance, merchantability, or fitness for any particular purpose. E-Motion LLC reserves the right to revise or update its products, software, or documentation without obligation to notify any individual or entity. Please direct all inquiries to: support@e-motionproducts.com.

Warranty is void if the nGauge case is opened.

Warranty is void if nGauge is used in a manner not consistent with reasonable care.

CONTACTS

Website: <http://www.e-motionproducts.com>

Email: support@e-motionproducts.com